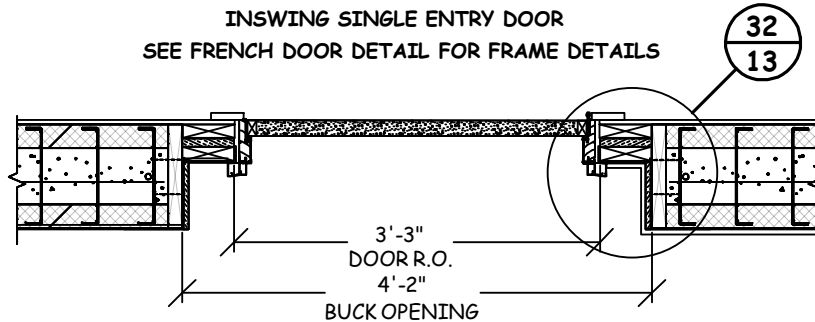


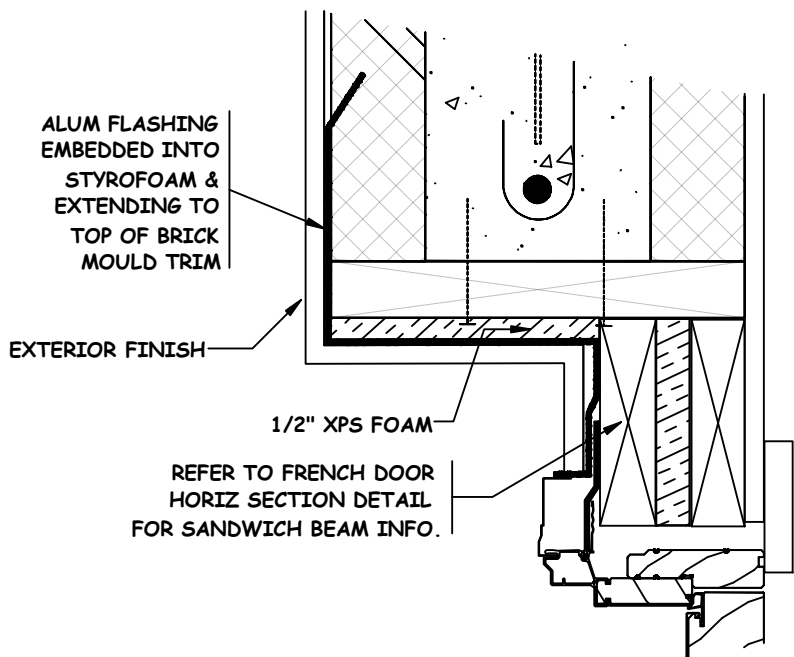
INSWING SINGLE ENTRY DOOR
SEE FRENCH DOOR DETAIL FOR FRAME DETAILS



12
9

ENTRY DOOR HORIZ SECTION

3/4" = 1'-0"



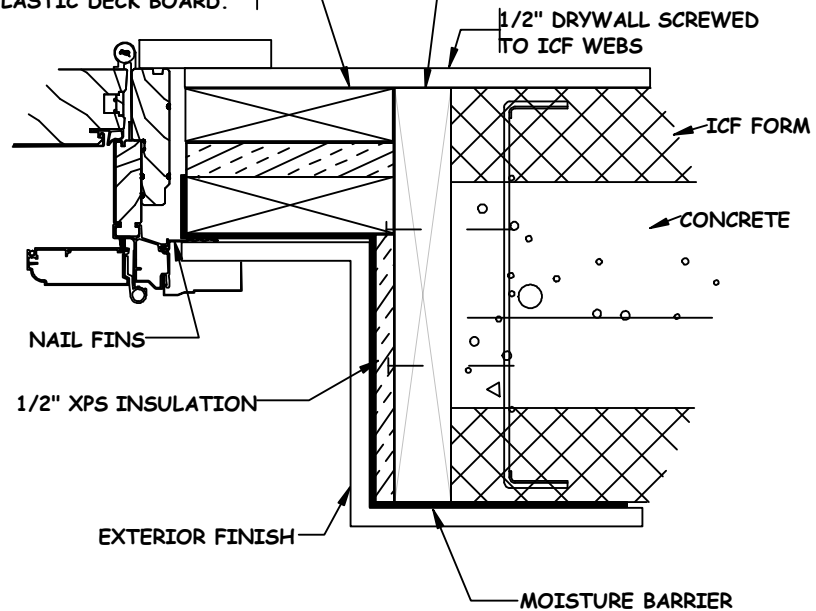
31
13

DOOR SECTION ENLARGED VIEW

1" = 4"

SANDWICH BEAM CONSTRUCTED OF 2 EA 2 X 6 DF CONST, WITH 1" XPS FOAM BETWEEN GLUED AND SCREWED. TOE NAILED TO BUCK. BOTTOM END TO BE CAPPED WITH REDWOOD OR PLASTIC DECK BOARD.

2 X 12 DF CONST CUT TO 11" WIDE WITH MOISTURE BARRIER BETWEEN BUCK AND CONCRETE. 1 1/2" REDWOOD OR PLASTIC DECK BOARD CAP ON BOTTOM END.



32
13

ENTRY & FRENCH DOOR JAMB SECTION

3/4" = 1'-0"