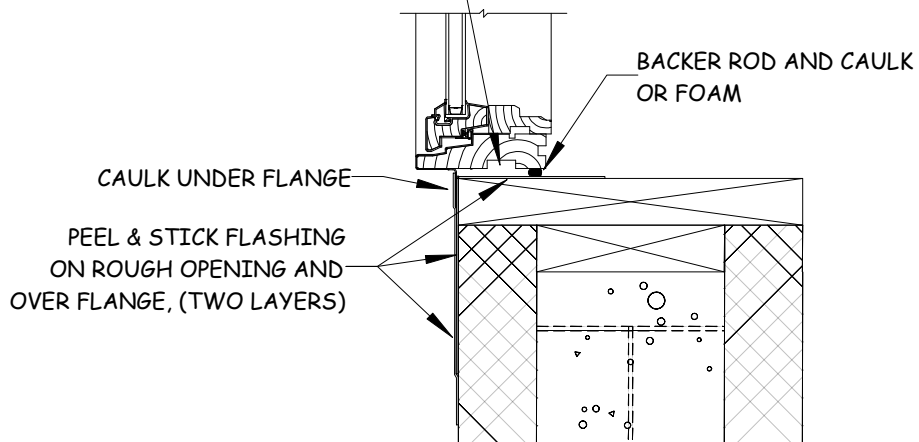
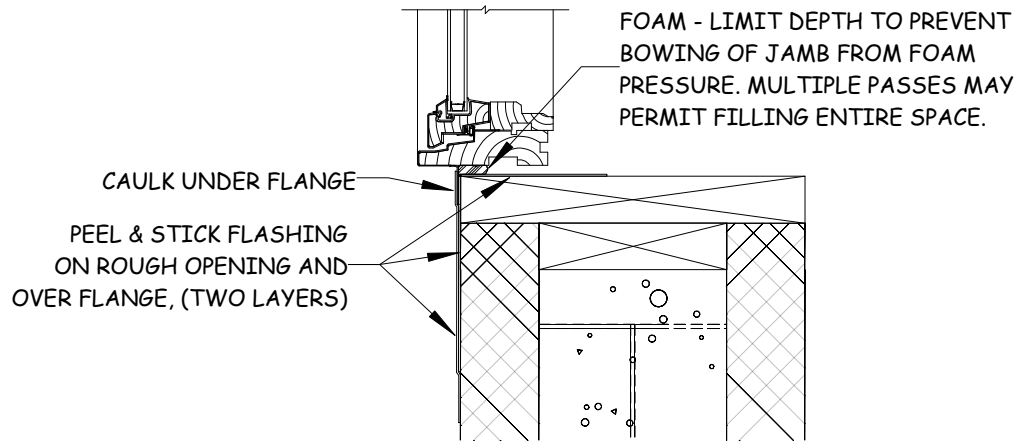


THIS SPACE WILL BE A CLOSED SPACE THAT WILL BECOME VAPOR SATURATED AS AIR MOVES IN AND OUT

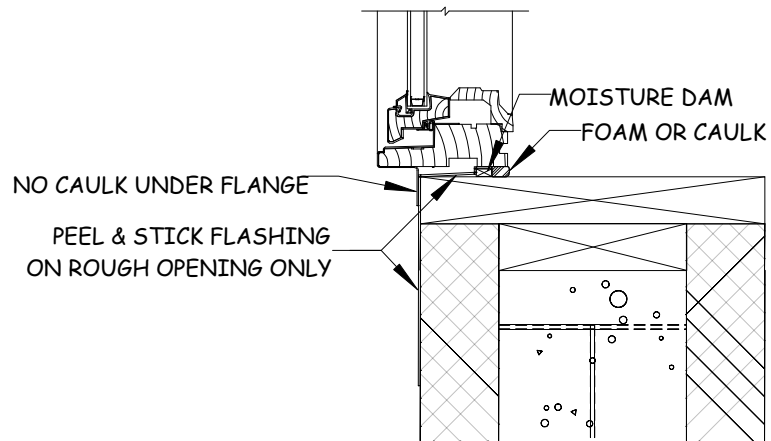


JAM AND HEADER  
ANDERSEN WAY

AT THE BOTTOM END OF THE JAMB EXTEND THE FOAM THE FULL DEPTH OF THE JAMB TO FORM A SEAL WITH THE SILL SEAL



JAM AND HEADER  
DONE MAC'S WAY



SILL