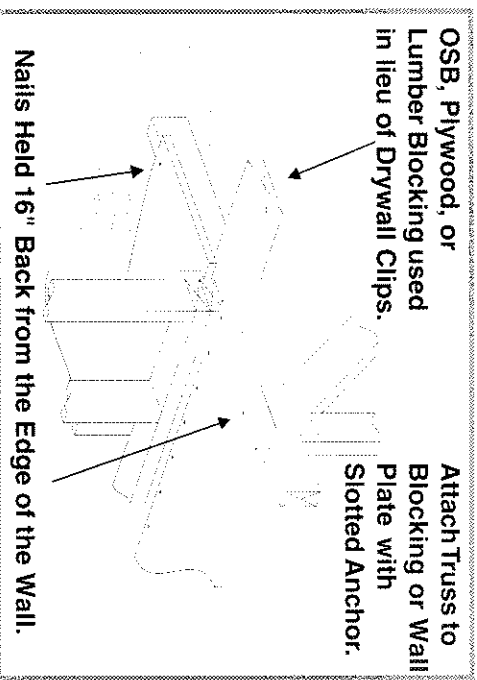
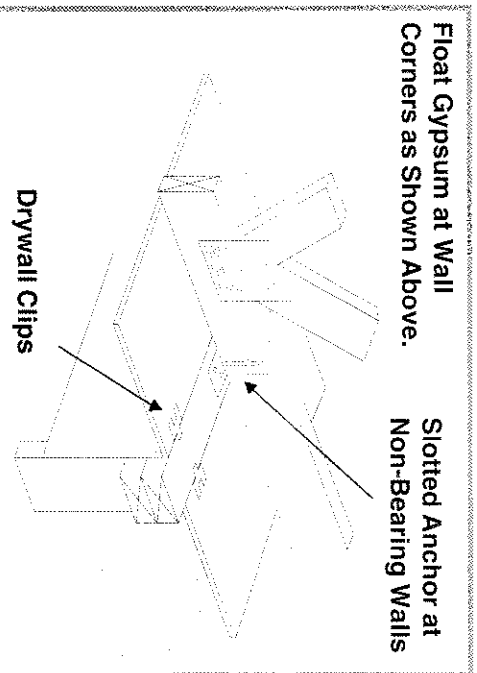
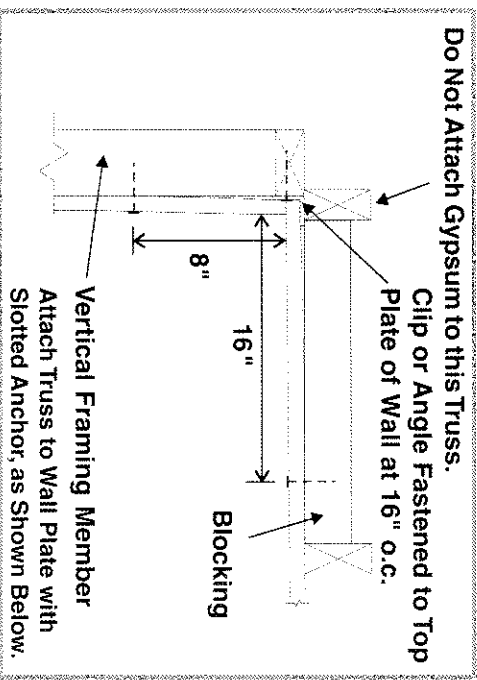
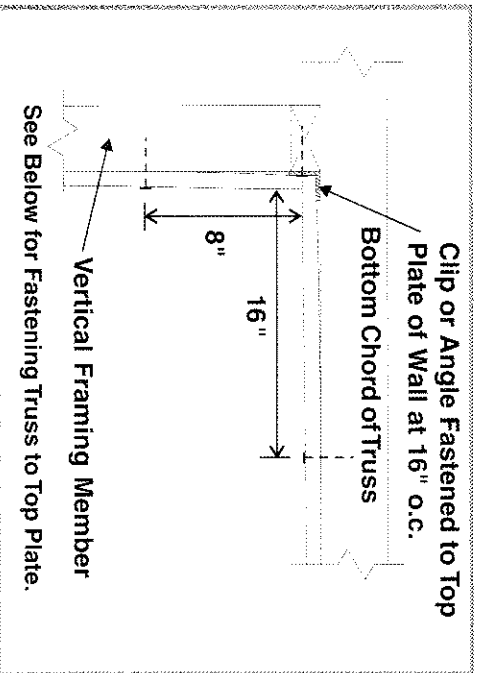


PREVENTING PARTITION SEPARATION



If this is a fire endurance assembly, see assembly details for the proper gypsum board nail or screw spacing.

WARNING: DO NOT CUT, DRILL OR DAMAGE THE TRUSS LUMBER OR PLATES.

Truss manufacturers are unable to avoid partition separation by manipulating production technique, web configuration, lumber grade, species or any other variable within their control. Partition separation is also known to occur in structures where the roof is conventionally framed (stick framed). Due to these findings, truss manufacturers can assume no responsibility or liability for the subsequent damages, in the rare instances where partition separation occurs.

Wood Truss Council of America

One WTCA Center

6300 Enterprise Lane • Madison, WI 53719

608/274-4849 • 608/274-3329 (fax)

www.woodtruss.com • wta@woodtruss.com

Truss Technology IN BUILDING

An informational series designed to address the issues and questions faced by professionals in the building construction process.

Copyright © 2000-01 Wood Truss Council of America, Inc.

Reproduction of this document, in any form, is prohibited without written permission from WTCA. This document should appear in more than one color.